

Installation Instructions

Meade 8" Equatorial Wedge

For Use With Meade Field Tripods

The Meade 8" Equatorial Wedge is for use with Meade 8" SC/ACF telescopes such as the LX90 & LX200 series. When used with the Meade LX90 series telescope, the Meade #07389 adapter plate is required for mounting the telescope to the wedge.

NOTE: This wedge is not designed to support telescope models larger than 8 inches.

The Meade 8" Equatorial Wedge attaches directly to Meade field tripods and permits the telescope to be used in an equatorial or "polar" mode. This "polar" mode configuration is ideal when using the telescope for astrophotography.

CAUTION: Always securely attach the Equatorial Wedge to the field tripod before attaching the telescope. A telescope placed onto the wedge alone, without the field tripod attached, may become seriously unbalanced and tip over.

ASSEMBLING THE EQUATORIAL WEDGE

The wedge consists of two basic parts: the wedge body and the tilt-plate, as shown in Fig. 1.

1. Attach the tilt plate (1, Fig. 1) to the wedge body (6, Fig. 1) by first threading two of the bolts with the aluminum washers through the holes at the top of the wedge body (2, Fig. 1) into the corresponding holes on the tilt plate. Note that the washers should be on the outside of the wedge body. See Fig. 1.
2. Thread another two bolts with aluminum washers through the curved opening on each side of the wedge body and into the lower end of the tilt plate (3, Fig. 1). Note that the washers on these bolts should also be on the outside of the wedge body.
3. The latitude adjustment scale (5, Fig. 1) is located on only one side of the wedge body. Move the button-head bolt (3, Fig. 1) to the number that corresponds with your location's latitude.
4. Slide the remaining bolt (4, Fig. 1) through the curved opening on the

side of the wedge body marked with the latitude adjustment scale and then into the fine adjustment L-bracket (1, Fig. 2). (Place the bolt behind the tilt angle adjustment bolt (3, Fig. 1.) Using the provided hex key, tighten all the bolts to a firm feel only.

5. **NOTE:** See your telescopes instruction manual for information about performing the necessary telescope polar alignment on the night sky.

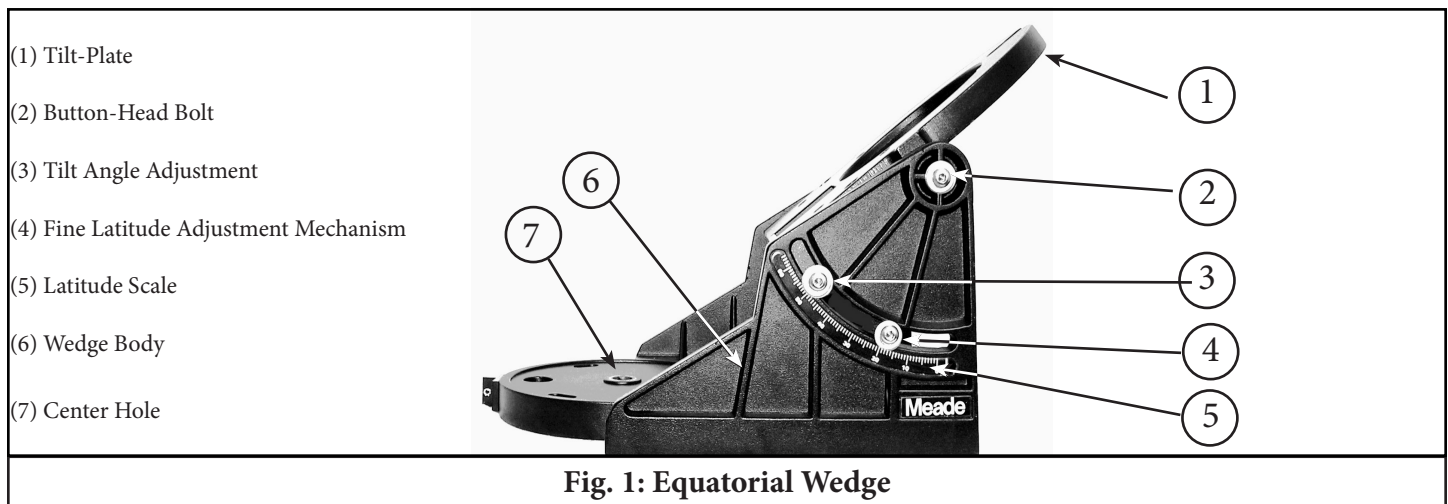
ATTACH THE WEDGE TO THE TRIPOD

1. Attach the wedge onto the field tripod by fitting the central threaded rod of the tripod through the wedge center hole (7, Fig. 1) and hold the wedge in place with one hand.
2. Thread the 3" diameter manual knob (1, Fig. 3) onto the tripod threaded rod and loosely tighten.
3. Rotate the wedge body so it aligns with the two threaded holes located on the side of the tripod head. See Figure 4.
4. For extra stability thread the three supplied 5/16" button head screws and washers thru the slotted openings (2, Fig. 3) on the wedge floor and into the tripod head. Leave these loose for now.

INSTALLING THE AZIMUTH CONTROL

The azimuth control assembly for the Meade Equatorial Wedge allows fine horizontal adjustment to the wedge position when aligning it on the night sky. The azimuth control assembly includes the following parts:

- One azimuth base (large U shaped piece of aluminum)
 - Two azimuth adjustment knobs
 - Two 8-32 x 1/2" flat-head machine screws
 - Two 8-32 x 1" round-head machine screws
 - One 9.5mm aluminum spacer block
 - One 19mm aluminum spacer block
 - One azimuth arm (t-shaped aluminum piece)
1. Select the 9.5mm or 19mm aluminum spacer block that when installed will sit flush with the edge of the tripod head. Place the spacer block



against the wedge body and line up with the screw holes as shown in Fig 4.

2. Attach the azimuth arm with the spacer block (1, Fig. 4) to the wedge body using the two 8-32 x 1/2" flat-head machine screws (2, Fig 4).
3. Attach the azimuth base (1, Fig. 5) to the tripod using the two 8-32 x 1" round-head machine screws (2, Fig 5).
4. Thread the two azimuth adjustment knobs (3, Fig. 5) into the azimuth base, until they just touch the azimuth arm (4, Fig. 5).

USING THE AZIMUTH CONTROL

1. To adjust the wedge in azimuth, slightly loosen the 3" central manual knob and three 5/16" button head screws on the wedge floor. **NOTE: Never adjust the azimuth controls when the 3" central manual knob or three 5/16" button head screws are tight. Damage to the wedge or hardware may occur.**
2. Rotate the wedge by using the two azimuth knobs(3, Fig 5) in a push-pull manner.
3. After positioning the wedge, tighten the central manual knob and three 5/16" button head screws until firm.

MEADE CUSTOMER SERVICE

If you have a question concerning your Meade Wedge, contact the Meade Instruments Customer Service Department at:

Telephone: (800) 626-3233 or Email: customerservice@meade.com

In the unlikely event that your Meade Wedge requires factory servicing or repairs, write or call the Meade Customer Service Department first, before returning the telescope to the factory, giving full particulars as to the nature of the problem, as well as your name, address, and daytime telephone number. The great majority of servicing issues can be resolved by telephone, avoiding return of the telescope to the factory. If factory service is required, you will be assigned a Return Goods Authorization (RGA) number prior to return.

MEADE LIMITED WARRANTY

The Meade Instruments Statement of Limited Warranty is published at: www.meade.com/supports/warranty/

A printed copy of the Meade Statement of Limited Warranty will be made available by Meade upon written request. See below for Meade contact information.

Warranty Claim
Meade Instruments
89 Hangar Way
Watsonville, CA 95076
+1 (800) 626-3233

customerservice@meade.com
SUBJECT: Warranty Claim

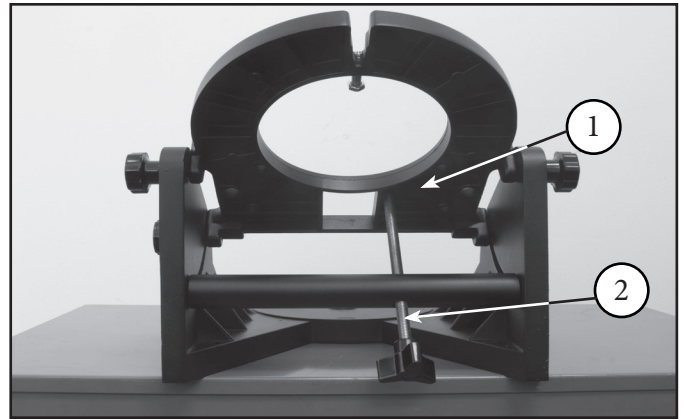


Fig. 2: Thread Latitude Adjustment Screw

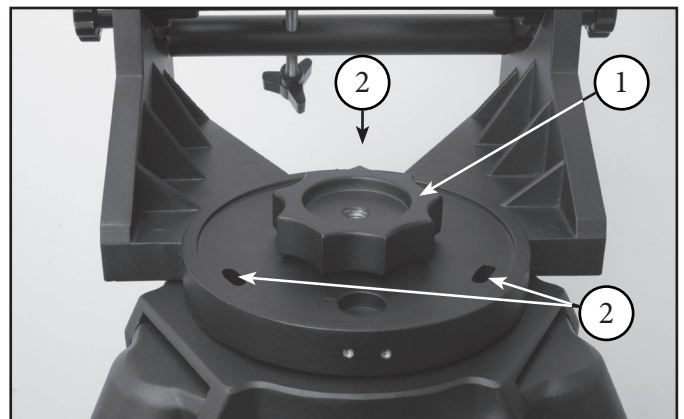


Fig. 3: Attach to Tripod

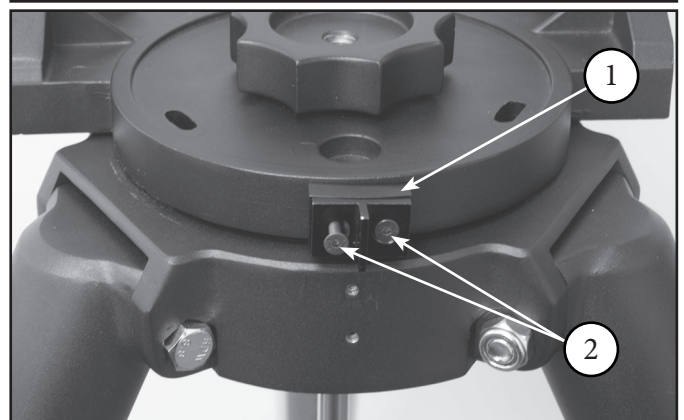


Fig. 4: Attach Azimuth Arm

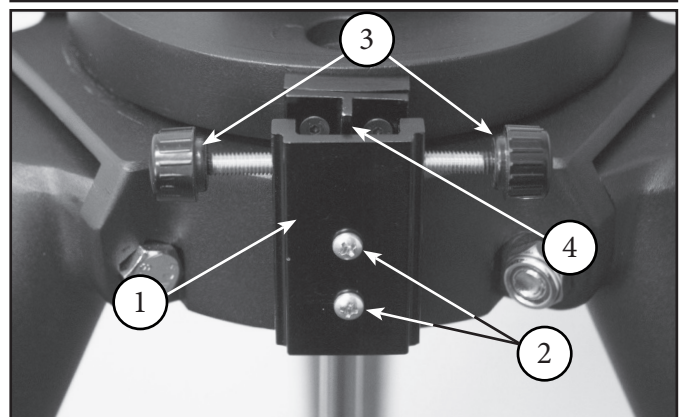


Fig. 5: Attach Azimuth Base