

# Operating Instructions

## Meade Standard Field Tripod

For use with the 8" - 12" LX90 and 8" - 10" LX200 Telescopes

The Field Tripod is supplied as a completely assembled unit, except for the spreader bar (8, Fig. 1).

For visual observations and short exposure astro-imaging, the drive base of the telescope's fork mount is attached directly to the field tripod. The telescope in this way is mounted in an "Altazimuth" ("Altitude-Azimuth," or "vertical-horizontal") format.

After removing the field tripod from its shipping carton, stand the tripod vertically, with the tripod feet down and with the tripod still fully collapsed (Fig. 2). Grasp two of the tripod legs and, with the full weight of the tripod on the third leg, gently pull the legs apart to a fully open position (Fig. 3). Each tripod leg should be spread evenly apart. If needed, slightly tighten the tripod leg lock knobs (4, Fig. 1) to prevent the inner leg from extending.

The spreader bar (8, Fig. 1) has been removed for shipment.

First place the included washer (3, Fig. 1) onto the threaded rod. Next slide the spreader bar (8, Fig. 1) onto the threaded rod and on top of washer. Position the spreader bar with the flat side facing upward (Fig. 4).

Slide the threaded rod (2, Fig. 1) back through the tripod head (9, Fig. 1) from underneath. Place the spring onto the threaded rod so it falls into the center cavity on top of the tripod head. Now attach the c-clip (1, Fig. 1) into the channel at the top of the threaded rod. The c-clip prevents the spring from coming off the threaded rod and allows the threaded rod to more easily locate the telescope mounting hole. With the c-clip installed, the threaded rod will rest above the tripod head.

Press down on the threaded rod and move the spreader bar (8, Fig. 1) so that the 3 arms of the spreader bar are lined up with the 3 tripod legs. Place the entire telescope onto the top of the tripod head so it aligns with the telescope mounting hole. Now thread the rod into the bottom of the telescope drive base using the T-handle tension knob (7, Fig. 1). Tighten the tension knob

**CAUTION:** "Firm feel" tightening is sufficient; overtightening may strip the threads or damage the tripod and results in no additional strength.

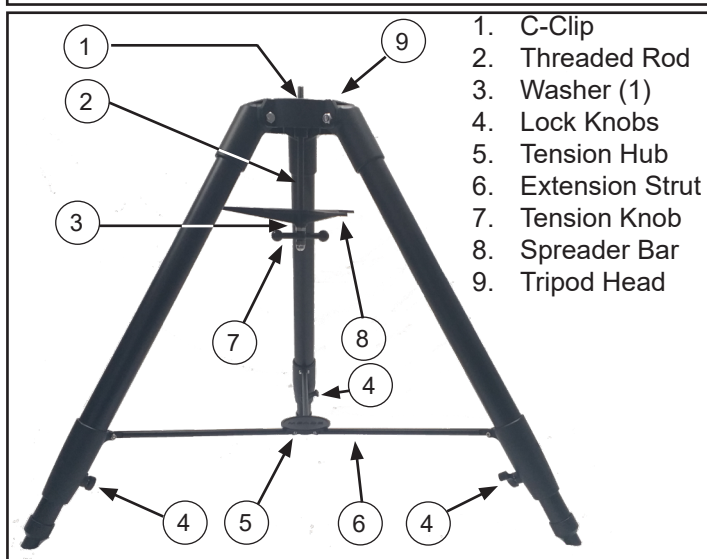


Fig. 1: Standard Field Tripod

just enough to rigidly hold the tripod legs in position. It is not necessary to use extreme force in tightening this knob.

To vary the tripod height, loosen the 3 leg lock knobs (4, Fig. 1) and slide the 3 inner tripod leg sections out to the desired height. Adjust the inner tripod legs so the telescope eyepiece is at the proper height and tripod head (9, Fig. 1) is approximately level. Be careful to not tip the tripod too much or it could become unbalanced and tip over. Retighten the 3 lock-levers to a firm feel (Fig. 7).

**CAUTION:** If the tripod does not seem to extend or collapse easily, do not force the tripod legs in or out.

By following the instructions above, the tripod will function properly, but if you are unclear on the proper procedure, forcing the tripod into an incorrect position may damage the extension strut system.

To collapse the tripod (after removing the telescope), press down on the threaded rod and rotate the spreader bar 60° from its assembled position. The spreader bar arms should be located between each adjacent pair of tripod legs. At the base of the tripod is a 3-vane extension strut system with a circular hub at its center (5, Fig. 1). Grasp the tripod head (9, Fig. 1) with one hand and with the other hand pull directly "up" on the central hub of the extension strut system. This operation will cause the tripod legs to move inward to a collapsed position. See Fig. 2.

### MEADE CUSTOMER SERVICE

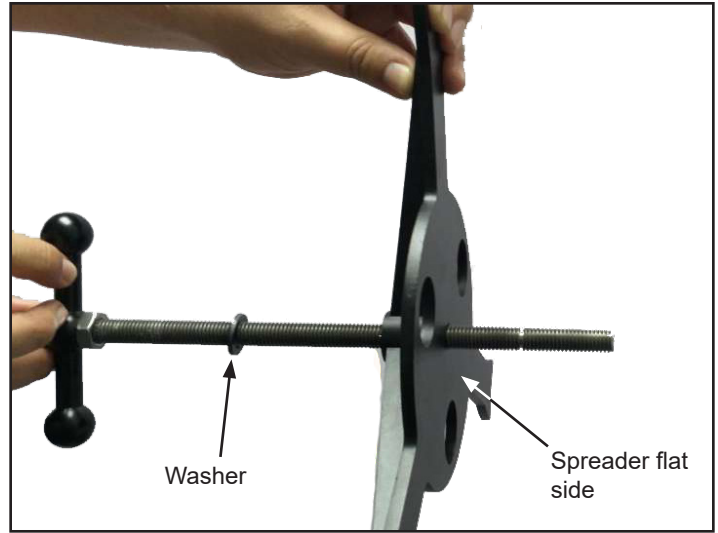
If you have a question concerning your Meade Tripod, contact the Meade Instruments Customer Service Department at telephone: (800) 626-3233 or Email: [customerservice@meade.com](mailto:customerservice@meade.com). In the unlikely event that your Meade Tripod requires factory servicing or repairs, write or call the Meade Customer Service Department first, before returning the tripod to the factory, giving full particulars as to the nature of the problem, as well as your name, address, and daytime telephone number. The great majority of servicing issues can be resolved by telephone, avoiding return of the tripod. If factory service is required, you



Fig. 2: Field Tripod (collapsed)



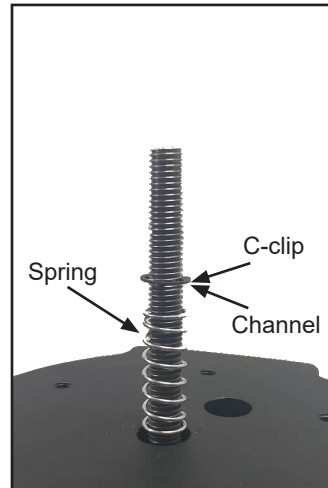
**Fig. 3:** Extend the tripod legs out.



**Fig. 4:** Assemble threaded rod with one washer first, then spreader as shown.



**Fig. 5:** Insert threaded rod assembly thru tripod head.



**Fig. 6:** Install spring and attach c-clip in channel to keep rod from falling.



**Fig. 7:** Loosen lock lever, extend inner leg, relock lever.

will be assigned a Return Goods Authorization (RGA) number prior to return.

**MEADE LIMITED WARRANTY**

The Meade Instruments Statement of Limited Warranty is published at: [www.meade.com/supports/warranty/](http://www.meade.com/supports/warranty/)

A printed copy of the Meade Statement of Limited Warranty will be made available by Meade upon written request.

See below for Meade contact information.

Warranty Claim  
 Meade Instruments  
 89 Hangar Way  
 Watsonville, CA 95076  
 +1 (800) 626-3233  
 customerservice@meade.com  
 SUBJECT: Warranty Claim

