

Orion® Padded Scope Cases

This rugged case will protect your instrument, keep it clean, and provide a convenient means for transporting and storing it. Made from tough, water-resistant polyester/nylon fabric with padding sewn into the lining, the case should endure many years of heavy use.

Case for a Tube Assembly Only

Some Orion Scope Cases are designed to hold only a telescope tube assembly (optical tube plus associated accessories), not the mount/tripod. This is because the combined weight and/or bulk of the tube and mount combined make it impractical to carry the whole unit together. (We do stock individual cases for some tripod/mount assemblies, as well. Check the Orion print or online catalog for models.)

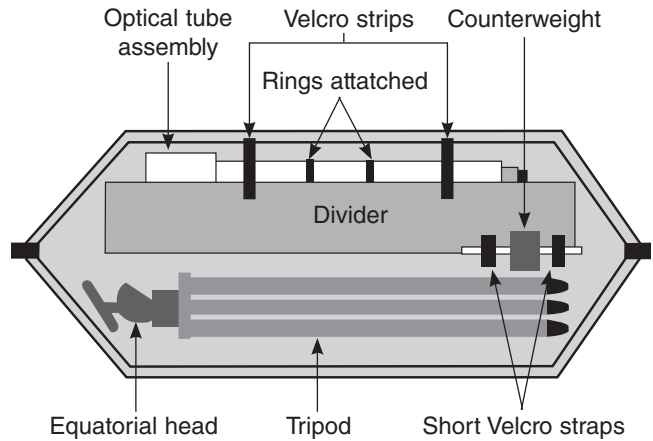
When placing a tube assembly into the case, it may be necessary to remove certain accessories, such as the finder scope or diagonal and eyepiece assembly, to ensure a proper fit. Try it first with the accessories attached and see if the case can be zipped up easily. If the fit is too tight, remove accessories as needed and store them inside the case or in the outside accessory pocket (available on some cases).

Case for a Complete Telescope

Cases designed to hold both the telescope optical tube and the mount/tripod assembly have a padded divider inside to prevent contact between the tube and the mount.

Before placing the instrument in the case, remove the optical tube from the mounting. For some telescopes, this will entail simply releasing the tube from the tube rings (leaving the tube rings attached to the mount). For others, the mount/tripod assembly will fit in the case only if the tube rings themselves are detached from the mount (they can be left on the telescope tube). For equatorial mounts, remove the counterweight and shaft from the equatorial head (leave the counterweight on the shaft). Retract the tripod legs to their shortest length and collapse the tripod. This will require removing the tripod accessory tray completely or uncoupling it from at least two of the three tripod legs.

Place the mount/tripod assembly and the telescope tube on opposite sides of the padded divider. On one



side you will see Velcro straps sewn into the bottom of the case. This side is designed to hold the mount/tripod assembly. The Velcro straps secure the counterweight and counterweight shaft in place (see diagram). The mount should be oriented so the head is opposite the Velcro straps (and counterweight).

Some cases have Velcro straps sewn to the bottom on both sides of the padded divider. The longer straps are designed to secure a short optical tube (such as the ShortTube 4.5), to keep it from shifting in the case. The shorter straps secure the counterweight and shaft.

For refractors, it is a good idea to position the tube so that the objective lens is at the opposite end of the case from the counterweight.

When the tube and mount have been placed in the case, secure the padded divider by fastening the Velcro strips near the zipper to those on the top edge of the divider. Then zip up the case.

Care of Your Case

Orion Padded Scope Cases are made to be tough and durable. Relatively little damage can be done to them. Clean by hand with a damp sponge or professionally dry clean. Make sure the case is completely dry before use.

One-Year Limited Warranty

This Orion product is warranted against defects in materials or workmanship for a period of one year from the date of purchase. This warranty is for the benefit of the original retail purchaser only. During this warranty period Orion Telescopes & Binoculars will repair or replace, at Orion's option, any warranted instrument that proves to be defective, provided it is returned postage paid. Proof of purchase (such as a copy of the original receipt) is required. This warranty is only valid in the country of purchase.

This warranty does not apply if, in Orion's judgment, the instrument has been abused, mishandled, or modified, nor does it apply to normal wear and tear. This warranty gives you specific legal rights. It is not intended to remove or restrict your other legal rights under applicable local consumer law; your state or national statutory consumer rights governing the sale of consumer goods remain fully applicable.

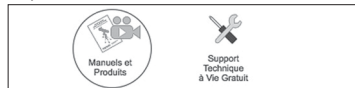
For further warranty information, please visit www.OrionTelescopes.com/warranty.

Francais

1 Pour obtenir le manuel d'utilisation complet, veuillez vous rendre sur le site Web **OrionTelescopes.eu/fr** et saisir la référence du produit dans la barre de recherche.

Mon compte • Suivi de commande • Chat • Aide • Français EUR
 Connexion
 Entrez le mot clé ou le numéro du produit Recherche

2 Cliquez ensuite sur le lien du manuel d'utilisation du produit sur la page de description du produit.

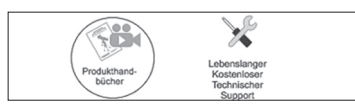


Deutsche

1 Wenn Sie das vollständige Handbuch einsehen möchten, wechseln Sie zu **OrionTelescopes.de**, und geben Sie in der Suchleiste die Artikelnummer der Orion-Kamera ein.

Mein Konto • Bestellstatus • Chat • Hilfe • Deutsch EUR
 Anmelden
 Geben Sie das Stichwort oder die Produktnummer ein. Suchen

2 Klicken Sie anschließend auf der Seite mit den Produktdetails auf den Link des entsprechenden Produkthandbuchs.



Corporate Offices: 89 Hangar Way, Watsonville CA 95076 - USA
 Toll Free USA & Canada: (800) 447-1001
 International: +1(831) 763-7000
 Customer Support: support@telescope.com

Copyright © 2021 Orion Telescopes & Binoculars. All Rights Reserved. No part of this product instruction or any of its contents may be reproduced, copied, modified or adapted, without the prior written consent of Orion Telescopes & Binoculars.