

## Addendum to the Instruction Manual: Design Change to the AstroView EQ Mount

The AstroView EQ mount has been redesigned to accept a dovetail mounting plate. Using a dovetail mounting plate makes it easier to attach a telescope to the AstroView EQ mount, simplifying set-up and take-down of the telescope system. Additionally, if you have more than one telescope for the AstroView mount, the updated dovetail mounting allows easy “swapping” of optical tubes without requiring extra tools.

The AstroView equatorial mount is designed to hold telescope optical tubes weighing up to approximately 12lbs. For heavier telescopes, the mount may not provide sufficient stability for steady imaging. Any type of telescope can be mounted on the AstroView mount, including refractors, Newtonian reflectors, and catadioptrics, provided the telescope has a built-in dovetail mounting plate or has a set of tube rings available to couple the tube to a dovetail mounting plate.

### Attaching the Telescope to the AstroView Mount

Once you've assembled the AstroView EQ mount as described in section 3 of the instruction manual, follow the instructions below to attach your telescope to the mount.

- 1) Attach the tube rings to the dovetail mounting plate using the screws that are included with the tube rings. The screws should go through the center holes at both ends of the mounting plate and rethread into the tube rings. Note that the side of the mounting plate with the central “groove” will be facing up (**Figure A-1**). Use a small wrench to secure the tube rings to the mounting plate.

**Note: The dovetail mounting plate included with the AstroView EQ mount includes four optical axis offset adjustment screws; these are the socket-head cap screws located at each corner of the mounting plate. The optical axis offset adjustment screws will not be used with normal usage of the mount. Prior to attaching tube rings, confirm that all four adjustment screws are sufficiently unthreaded so the ends of their threaded shafts are flush with the top surface of the dovetail mounting plate, or remove them from the plate altogether.**

- 2) Open the tube rings by unthreading the knurled clamps and lay your telescope optical tube in the tube rings at about the midpoint of the tube's length. Close the tube rings and re-tighten the clamps.
- 3) Loosen the mounting plate lock knob and safety screw on the top of the equatorial mount. Place the dovetail mounting plate, with the tube rings and telescope attached, in the slot on top of the equatorial mount (**Figure A-2**). Position the mounting plate so it is centered in the slot. Re-tighten the mounting plate lock knob and safety screw until the plate is secure.

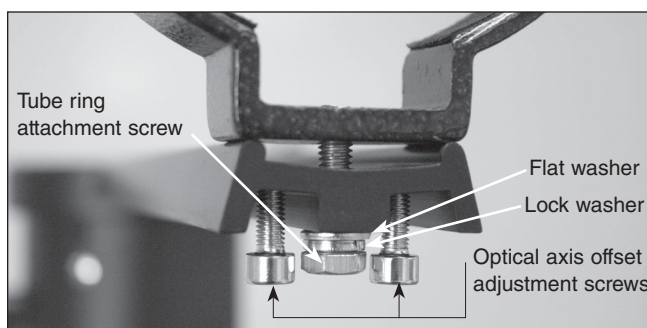
For reflector telescopes, carefully loosen the knurled tube ring clamps by a few turns each and rotate the tube so that the focuser is at a convenient height for viewing.

You are now ready to balance your telescope as described in section 5 of the instruction manual.

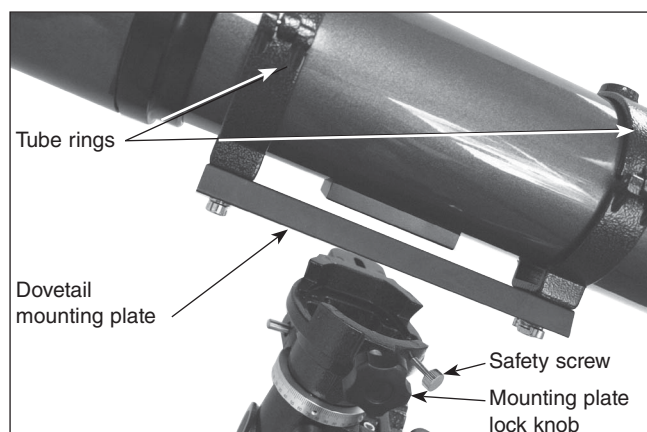
### Attaching the StarMax 127mm to the AstroView Mount

The StarMax 127mm optical tube does not connect to the dovetail mounting plate with tube rings. Rather, the mounting plate comes attached directly to the telescope tube itself.

To connect the StarMax 127mm to the AstroView mount, first loosen the mounting plate lock knob and safety screw on the top of the equatorial mount. Place the telescope on the mount so the dovetail mounting plate goes in the slot on top of the equatorial mount (**Figure A-2**). Position the tube so the mounting plate is centered in the slot. Re-tighten the mounting plate lock knob and safety screw so the telescope is secure.



**Figure A-1.** The dovetail mounting plate.



**Figure A-2.** Placing a telescope on the AstroView mount.



Corporate Offices: 89 Hangar Way, Watsonville CA 95076 - USA  
Toll Free USA & Canada: (800) 447-1001  
International: +1(831) 763-7000  
Customer Support: support@telescope.com

Copyright © 2022 Orion Telescopes & Binoculars. All Rights Reserved. No part of this product instruction or any of its contents may be reproduced, copied, modified or adapted, without the prior written consent of Orion Telescopes & Binoculars.