

Orion Dob Dolly

#10109



Congratulations on the purchase of the Orion Dob Dolly. This product was designed so that any Classic, Intelli-Scope or Goto, Dobsonian telescope ranging from 4.5" to 10" aperture can be easily moved around and leveled adding more mobility to the Dobsonian telescope. For Goto Dobs, leveling the base makes the Goto more accurate.

Getting Started

The Dob Dolly is supplied disassembled. Minor assembly is required.

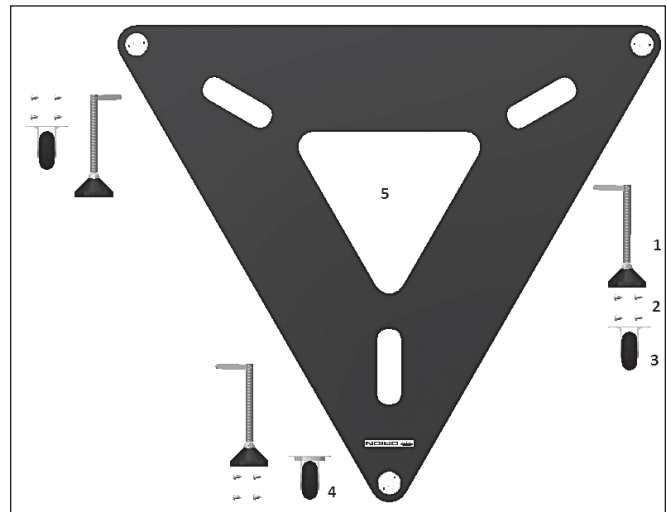


Figure 1. Dob Dolly parts

Dob Dolly parts

1. 3x Levelers
2. 12x Caster Wheel fixing screws
3. Directional Caster Wheel
4. Non-Directional Caster Wheel
5. Flat triangle surface

Assembling the Dob Dolly

Start by installing the two Non-Directional caster wheels (Figure 2.). The two Non-Directional caster wheels are located on the back of the Dob Dolly as shown (Figure 3.) The Dob-Dolly has pre drilled holes to help positioning and fixing the caster wheels.

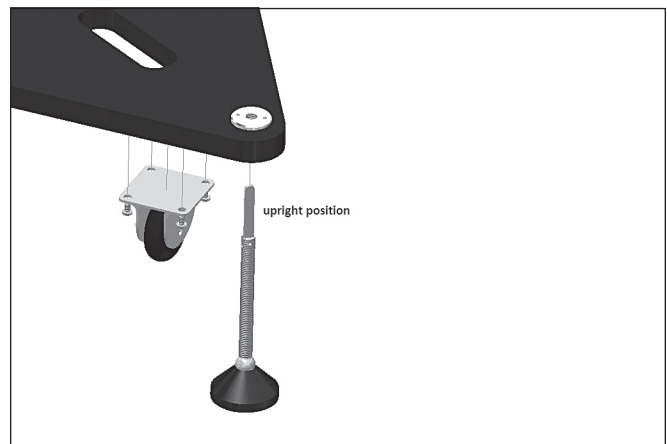


Figure 2. Installing the caster wheels and levelers.



Copyright © 2020 Orion Telescopes & Binoculars. All Rights Reserved. No part of this product instruction or any of its contents may be reproduced, copied, modified or adapted, without the prior written consent of Orion Telescopes & Binoculars.

Corporate Offices: 89 Hangar Way, Watsonville CA 95076 - USA
 Toll Free USA & Canada: (800) 447-1001
 International: +1(831) 763-7000
 Customer Support: support@telescope.com

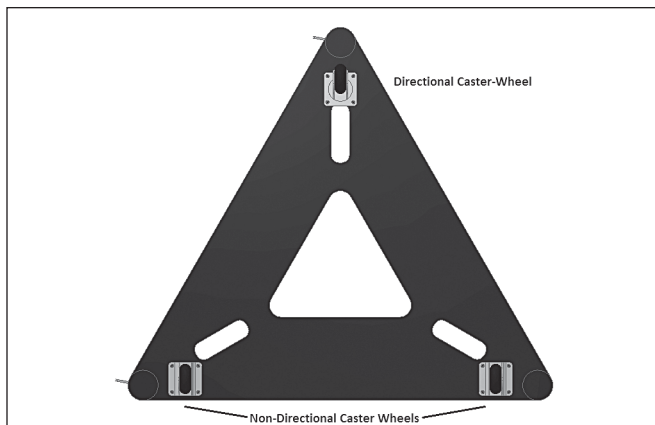


Figure 3. Caster Wheels position

Use a Philips-head screw driver to attach the two Non-Directional caster wheels. Then attach the Directional Caster-Wheel. This wheel rotates around itself and it will allow the Dob Dolly to steer in different directions. The directional caster wheel is attached to the Dob Dolly in the open position nearest the Orion logo.

Installing the Levelers

Place the leveler in the upright position as (Figure 2.) Thread the three levelers so that the leveler's plastic foot is not touching the ground when the Dob Dolly is on the floor (Figure 4.). The levelers should be up when moving the Dob Dolly, to avoid it from hitting any object close to the ground.

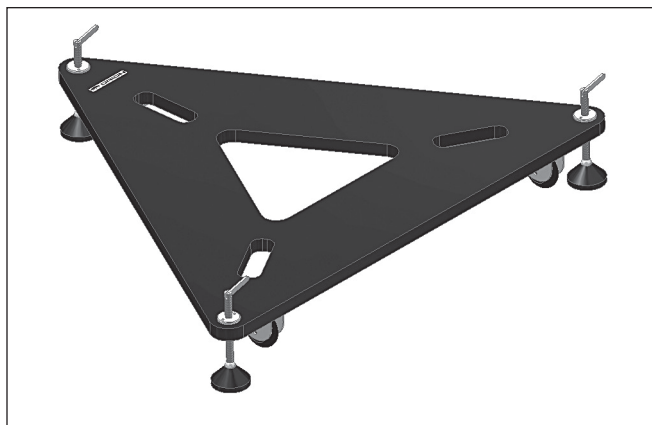


Figure 4. Levelers installed

As soon as the telescope is moved to a suitable observing position lower the levelers. They should touch the ground. This will allow the Dob Dolly not to move and can be used to level the telescope base if necessary.

Warning: Do not Step onto the Dob Dolly, it is not meant to support the weight of a person.

Warning: The Dob Dolly was not designed to be used on uneven surfaces. The caster wheels are made from soft rubber that can be damaged if used in rough surfaces.

Caution: Do not leave a telescope on the Dob Dolly with the levelers in the up position on a non-level surface – you don't want your Dobsonian to wander!

One-Year Limited Warranty

This Orion product is warranted against defects in materials or workmanship for a period of one year from the date of purchase. This warranty is for the benefit of the original retail purchaser only. During this warranty period Orion Telescopes & Binoculars will repair or replace, at Orion's option, any warranted instrument that proves to be defective, provided it is returned postage paid. Proof of purchase (such as a copy of the original receipt) is required. This warranty is only valid in the country of purchase.

This warranty does not apply if, in Orion's judgment, the instrument has been abused, mishandled, or modified, nor does it apply to normal wear and tear. This warranty gives you specific legal rights. It is not intended to remove or restrict your other legal rights under applicable local consumer law; your state or national statutory consumer rights governing the sale of consumer goods remain fully applicable.

For further warranty information, please visit www.OrionTelescopes.com/warranty.



Corporate Offices: 89 Hangar Way, Watsonville CA 95076 - USA
Toll Free USA & Canada: (800) 447-1001
International: +1(831) 763-7000
Customer Support: support@telescope.com

Copyright © 2020 Orion Telescopes & Binoculars. All Rights Reserved. No part of this product instruction or any of its contents may be reproduced, copied, modified or adapted, without the prior written consent of Orion Telescopes & Binoculars.